

# Flow Products

With the continuing supply chain constraints, finding high quality and reliable hydraulic power units presents a major challenge to our customers. To address this problem, Flow Products is offering a sale on the Bucher M-3534 series power unit.

**This is for a limited time only!!**

## **BUCHER** hydraulics

### **HYDRAULIC POWER UNIT MODEL M-3534**

#### **PRODUCT FEATURES**

- Compact design
- Light weight
- Horizontal mount
- Double acting
- Load holding in both directions

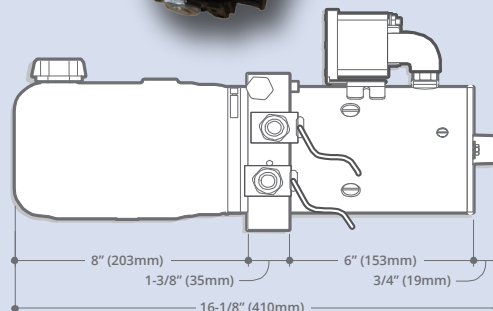
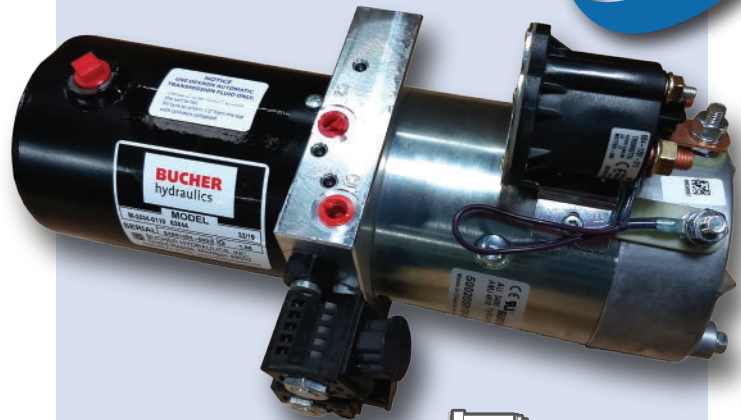
#### **PRODUCT SPECIFICATIONS**

- 12 VDC electric motor
- 0.128 CIR fixed gear pump
- 12 VDC solenoid valves
- 12 VDC start solenoid
- Relief set at 3000 PSI
- 4-1/2" dia x 6" long reservoir
- Completely assembled & tested

#### **APPLICATIONS INCLUDE**

- Lifting tables
- Tailgates
- Dumping stations
- Aerial Platforms
- Dock Levelers
- Exercise Equipment
- Factory Automation

**LIMITED TIME  
OFFER!**



**SALE PRICE: \$429**  
**NEXT DAY SHIPPING**

**Go With Flow!**  
**DON'T MISS OUT... ORDER TODAY!**  
**773-528-2000**

**Sales2@FlowProd.com | FlowProd.com**