

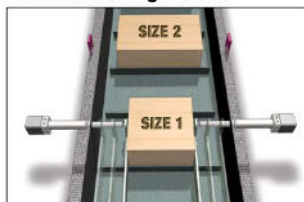
ECONOMICAL ROD-STYLE ELECTRIC CYLINDER

The ERD is an economical electric cylinder compatible with many NEMA & metric mount stepper and servo motors to create a flexible, powerful, yet cost-effective electric cylinder solution over traditional pneumatic cylinders.

ERD



Product Change Over



Options:

TRR – Trunnion Mount
PCD – Rear Clevis Mount
FM2 – 2 Foot Mounts
FFG – Front Flange
ARI – Internal Anti-rotate

SS1 – 300 Series Stainless Steel
IP67 – IP67 Seal
IP69K – IP69K Seal
GD2 – Light Duty External Guide

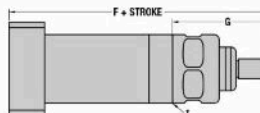
Applications:

- Aligning
- Animation
- Assembly
- Automotive
- Conveyors
- Diverting
- Fillers
- Gating
- Material handling systems
- Medical equipment
- Open / close doors
- Packaging equipment
- Pick & place
- Plate positioning change
- Press fit
- Robot manipulator arms
- Sonic welding
- Sorting
- Volumetric pumps
- Web guidance
- Wire winding & more!

Specifications (metric measurement)

ERD SIZE	MAXIMUM STROKE	SCREW CODE	LEAD	LEAD ACCURACY	BACKLASH	MAXIMUM THRUST	DYNAMIC LOAD RATING
mm			mm/rev	mm/30mm	mm	N	N
10	254.0	SN01	25.4	0.18	0.18	186	NA
		SN02	12.7	0.18	0.18	186	NA
		SN05	5.08	0.18	0.18	186	NA
		BNM05	5.00	0.87	0.13	445	1,068
15	304.8	SN01	25.4	0.15	0.18	334	NA
		SN02	12.7	0.13	0.18	334	NA
		SN05	5.08	0.15	0.18	334	NA
		BNM05	5.00	0.87	0.13	890	2,002
20	609.6	BNM10	10.00	0.87	0.13	890	1,779
		BZ10	2.54	0.15	0.20	890	NA
		BNM05	5.00	0.87	0.13	2,224	4,003
		BNM10	10.00	0.87	0.13	2,224	4,003
20	609.6	BNM20	20.00	0.87	0.10	2,224	10,000
		BZ10	2.54	0.15	0.20	2,224	NA

Dimensions OPTION: IP67, IP69K



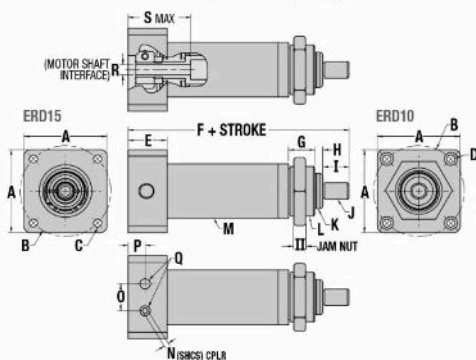
*Dimension shown is with Tolomatic AMxxx motor hardware YMH option will determine this dimension.

IP67 & IP69K Option replaces the Jam Nut

	ERD10	ERD15	ERD20
IP67			
F mm	121.8	152.4*	204.8*
G mm	44.17	53.0	72.5
IP69K			
F mm	128.1	164.8	204.8*
G mm	50.52	65.7	72.5
I	Surface for mounting options		



Dimensions SIZE: 10, 15, 20



	ERD10	ERD15	ERD20
A mm	40.13	56.39*	*
B mm	Ø43.82	Ø66.68*	*
C mm	-	M4 x 0.7*	*
D mm	Ø3.91	-	*
F mm	106.7	137.2*	*
I mm	12.70	19.05	19.05
L mm	M24 x 1.5	M34 x 1.5	M44 x 1.5
O mm	13.00	13.00	23.37
P mm	8.20	7.57*	*
Q mm	(2) M6 x 1.0 ±7.9	(2) M6 x 1.0 ±12.7	(2) M6 x 1.0 ±12.7

*This dimension is determined by motor choice.

Contact us at 773-528-2000 or at sales2@flowprod.com to have us size and engineer an electric cylinder solution for you!

Flow Products | 2626 West Addison Street | Chicago, IL 60618 US

[Unsubscribe](#) | [Update Profile](#) | [Constant Contact Data Notice](#)



Try email marketing for free today!